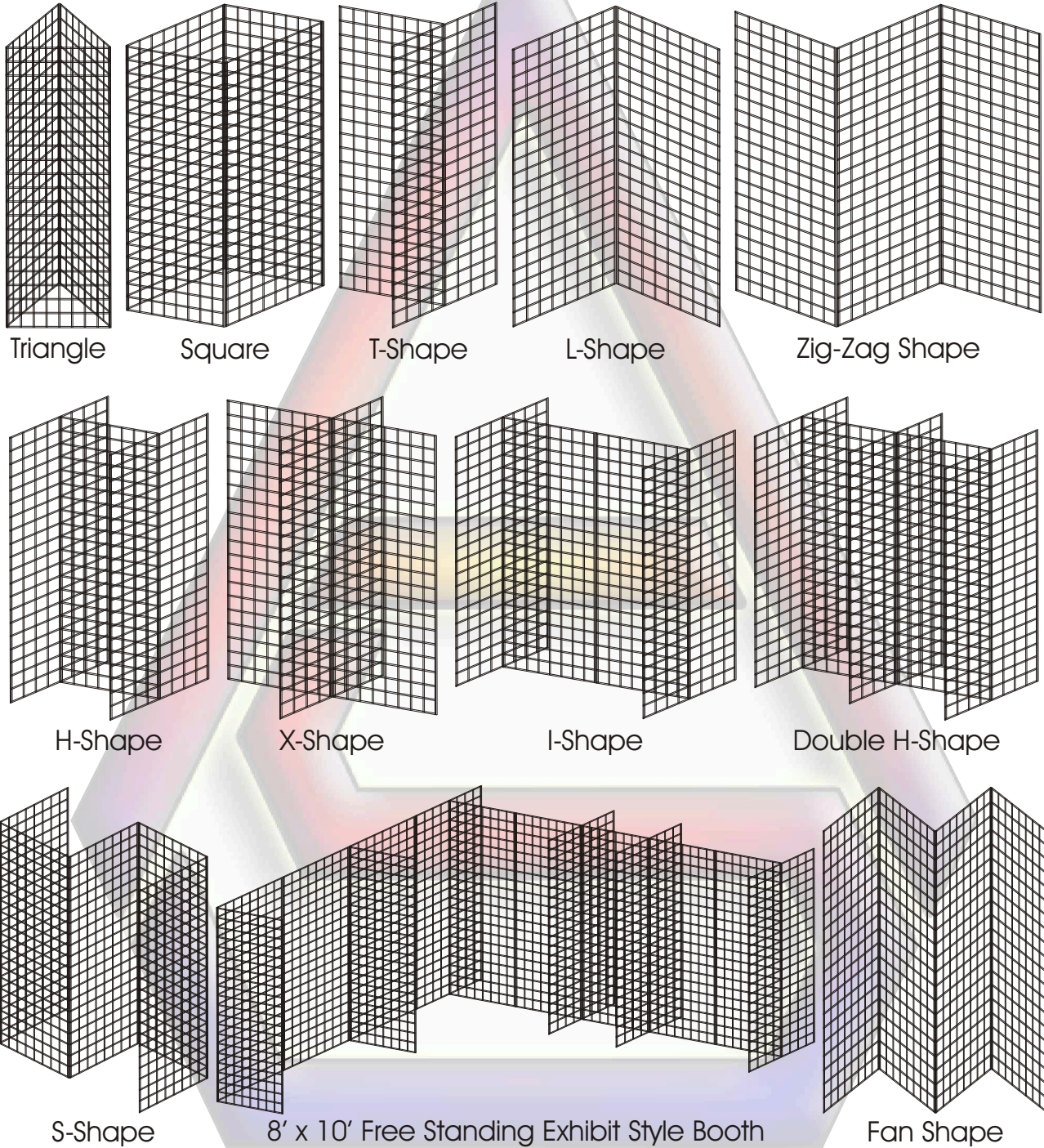


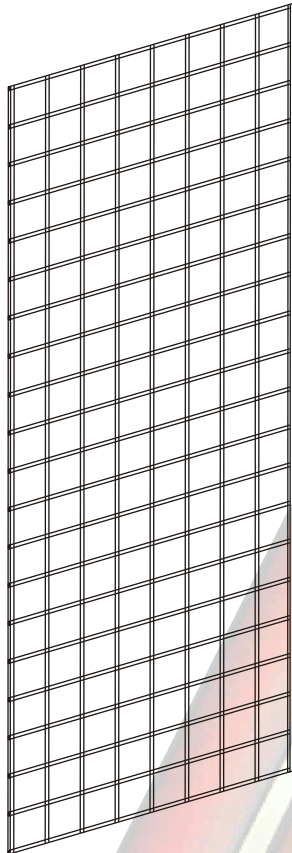
The Gridwall System is an attractive, versatile, durable, portable modular display system with unlimited possibilities.

Choose from a variety of panels & accessories to suit your needs. Here's some panel configuration ideas that require only Grid Clips.



Designed & Published by: www.Media-Workz.Com

<p>ACME SHELVING & STORE FIXTURES 360 Magnetic Drive, North York Ontario M3J 2C4 www.AcmeShelving.Com Info@AcmeShelving.Com</p>			<p>Tel: 416-661-2442</p>
			<p>Toll Free: 1-800-611-2263</p>
			<p>Fax: 416-661-7165</p>



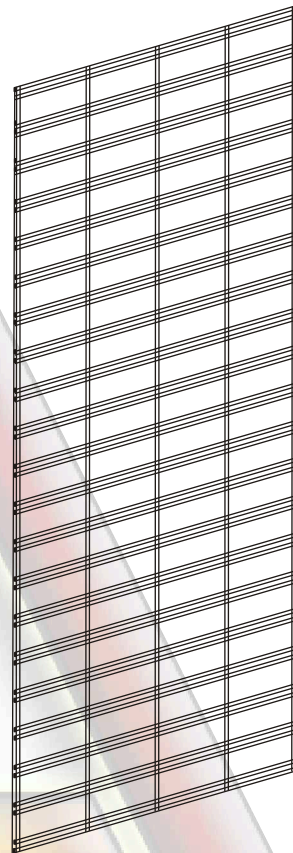
2' x 4'
 2' x 5'
 2' x 6'
 2' x 7'
 2' x 8'
 4' x 4'
 4' x 5'
 1' x 5'
 3' x 6'

GWPA01

Gridwall Panels

Vertical sides have double wire
 Dimensions: 3" x 3" spaces of 1/4" wire
 Black, Chrome & White

2 pcs/pkg



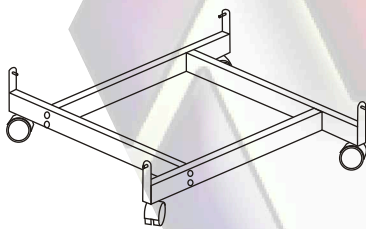
2' x 4'
 2' x 5'
 2' x 6'
 2' x 7'
 2' x 8'
 4' x 4'
 4' x 5'

GWPA02

Slatgrid Wall Panels

Vertical sides have double wire
 Dimensions: 3" x 6" spaces of 1/4" wire
 Black, Chrome & White

2 pcs/pkg

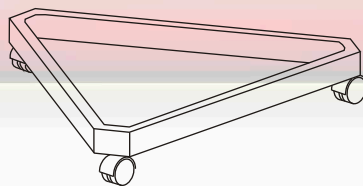


GWBA01

1 pcs/pkg

Grid Four Way Base

With twin hooded casters
 Dimensions: Fits 4-24" Panels
 Black, Chrome & White

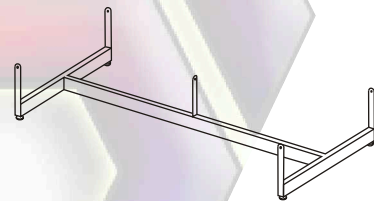


GWBA02

1 pcs/pkg

Grid Triangle Base

With twin hooded casters
 Dimensions: Fits 3-24" Panels
 Black, Chrome & White



GWBA03

1 pcs/pkg

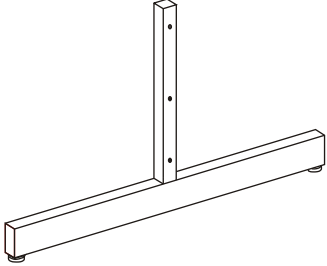
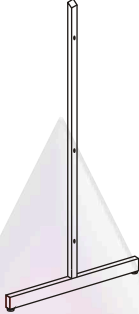
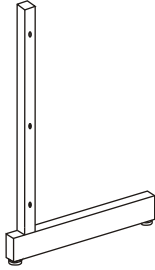
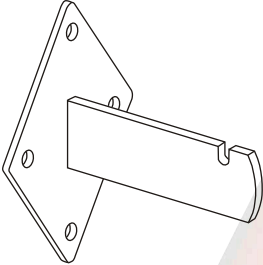
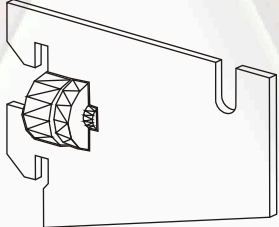

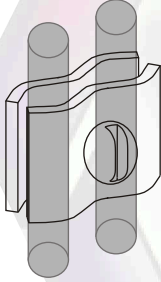
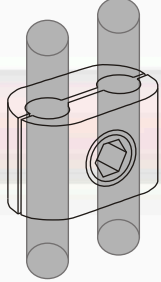
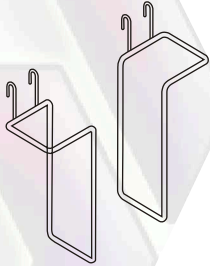
Grid Gondola Base

With levellers or casters
 Dimensions: Fits 4-24" Panels
 24" W x 48" L
 Black, Chrome & White

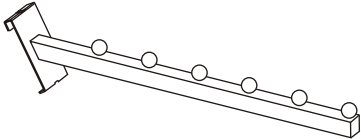
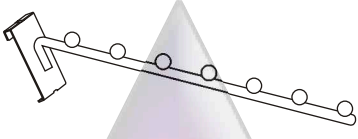
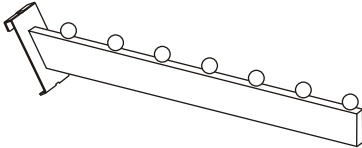
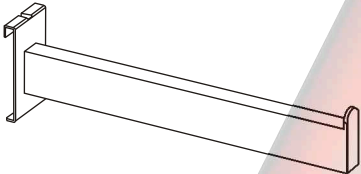
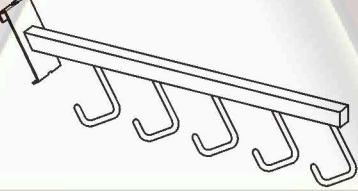
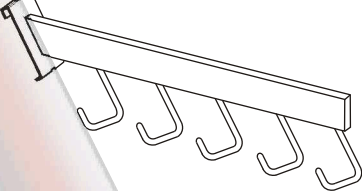
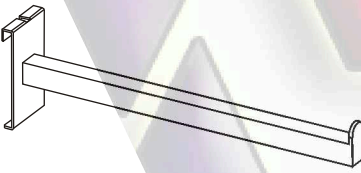
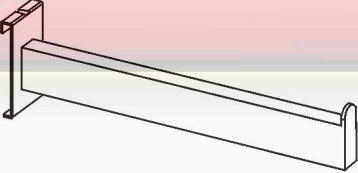
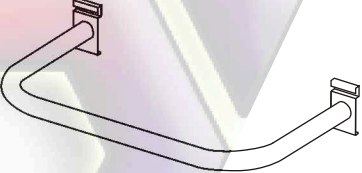
Designed & Published by: www.Media-Workz.Com

<p>ACME SHELVING & STORE FIXTURES 360 Magnetic Drive, North York Ontario M3J 2C4 www.AcmeShelving.Com Info@AcmeShelving.Com</p>			<p>Tel: 416-661-2442</p>
			<p>Toll Free: 1-800-611-2263</p>
			<p>Fax: 416-661-7165</p>

Designed & Published by: www.Media-Workz.Com

 <p>GWLT12 4 pcs/pkg <u>Grid Panel Leg</u> 12" upright with levellers Dimensions: Fits 24" Panels Black, Chrome & White</p>	 <p>GWLT60 4 pcs/pkg <u>Grid Panel Leg</u> 60" upright with levellers Dimensions: Fits 24" Panels Black, Chrome & White</p>	 <p>GWL20 4 pcs/pkg <u>Grid L-Shaped Leg</u> 20" upright with levellers Dimensions: Fits 24" Panels Black, Chrome & White</p>
 <p>GWBR01 100 pcs/pkg <u>Wall Mount Support Bracket</u> Holds Panels 3" from wall Dimensions: Fits all Grid Panels Black, Chrome & White</p>	 <p>GWBR02 100 pcs/pkg <u>Standard Mount Support Bracket</u> For 1/2" Slot 1" o/c Standard Dimensions: Fits all Grid Panels Chrome</p>	 <p>GWACH 100 pcs/pkg <u>Ceiling Hooks</u> 1/8" diameter wire Dimensions: 6, 12, 18, 24, 36, 48, 60 & 72 inch available Chrome</p>
 <p>GWAC01 100 pcs/pkg <u>Grid Panel Connector</u> Connects two Grid Panels Dimensions: Fits all Grid Panels Black, Chrome & White</p>	 <p>GWAC02 100 pcs/pkg <u>Heavy Duty Panel Connector</u> Connects two Grid Panels Dimensions: Fits all Grid Panels Black, Chrome & White</p>	 <p>GVAL01 100 prs/pkg <u>Grid Literature Holder</u> Adjustable Dimensions: 6" High Chrome Sold in pairs</p>

ACME SHELVING & STORE FIXTURES 360 Magnetic Drive, North York Ontario M3J 2C4 www.AcmeShelving.Com Info@AcmeShelving.Com			Tel: 416-661-2442 Toll Free: 1-800-611-2263 Fax: 416-661-7165
---	--	---	--

 <p>GWBRWF01 <i>25 pcs/pkg</i> <u>Grid 6-Ball Waterfall</u> Made of 3/4" x 3/4" tube Dimensions: 16" Long Black, Chrome, White</p>	 <p>GWBRWF02 <i>25 pcs/pkg</i> <u>Grid 7-Ball Waterfall</u> Made of 3/8 diameter wire Dimensions: 16" Long Chrome</p>	 <p>GWBRWF03 <i>25 pcs/pkg</i> <u>Grid 7-Ball Waterfall</u> Made of 1/2" x 1 1/2" tube Dimensions: 16" Long Chrome, White</p>
 <p>GWBRWF04 <i>25 pcs/pkg</i> <u>Grid Faceout</u> Made of 1/2" x 1 1/2" tube Dimensions: 12" Long Chrome</p>	 <p>GWBRWF05 <i>25 pcs/pkg</i> <u>Grid 5 J-Hook Waterfall</u> Made of 3/4" x 3/4" tube Dimensions: 16" Long Black, Chrome, White</p>	 <p>GWBRWF06 <i>25 pcs/pkg</i> <u>Grid 5 J-Hook Waterfall</u> Made of 1/2" x 1 1/2" tube Dimensions: 16" Long Chrome</p>
 <p>GWBRFO01 <i>25 pcs/pkg</i> <u>Grid Faceout</u> Made of 3/4" x 3/4" tube Dimensions: 12" Long Black, Chrome, White</p>	 <p>GWBRFO02 <i>25 pcs/pkg</i> <u>Grid Faceout</u> Made of 1/2" x 1 1/2" tube Dimensions: 12" Long Chrome</p>	 <p>GWBRU01 <i>10 pcs/pkg</i> <u>Grid U-Bar Hangrail</u> Made of 1 1/4" dia round tube Dimensions: 12" D x 23" W Black, Chrome, White</p>

Designed & Published by: www.Media-Workz.Com

<p>ACME SHELVING & STORE FIXTURES 360 Magnetic Drive, North York Ontario M3J 2C4 www.AcmeShelving.Com Info@AcmeShelving.Com</p>		 <p>Tel: 416-661-2442 Toll Free: 1-800-611-2263 Fax: 416-661-7165</p>
---	--	---